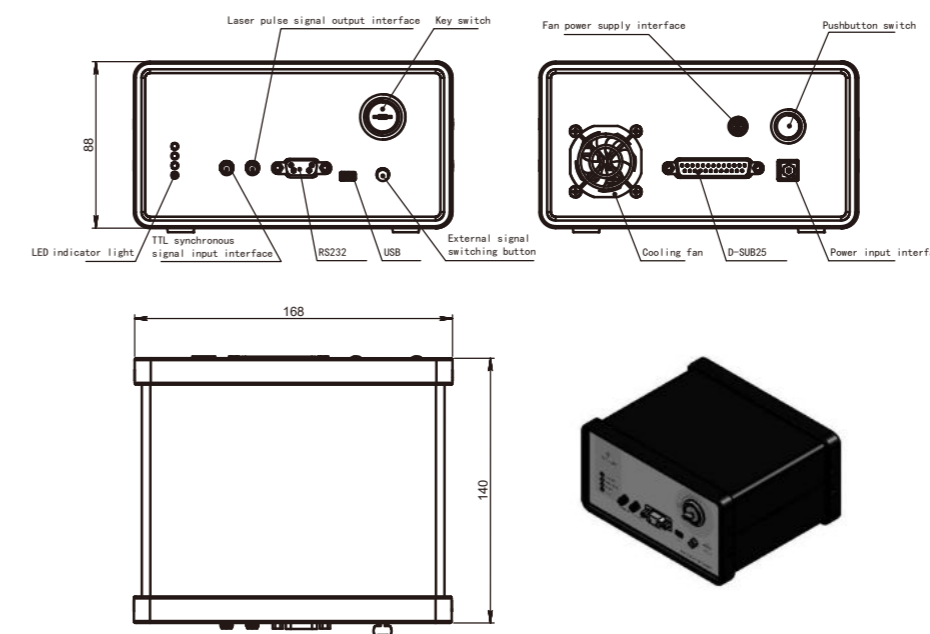


# 343nm Yb:YAG q-switched picosecond laser MJ Microchip laser system



OUTLINE SIZE(mm)



## DESCRIPTION

343nm laser is one of the series of solid state laser provided by ULaser. It is based on the Yb:YAG crystal. With q-switched crystal, it can emit laser of 800ps.

As a uv laser, our 343nm laser has advantages of low thermal stress and high photon energy. Compared to 1030nm laser, it has shorter pulse width and smaller full angle beam divergence. At the same time, our 343nm laser possesses same small shell. Thus, it can adapt to most applications.

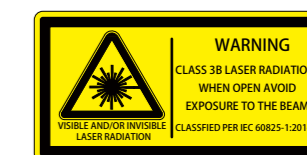
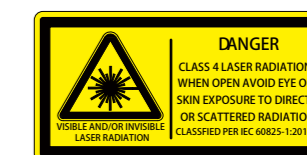
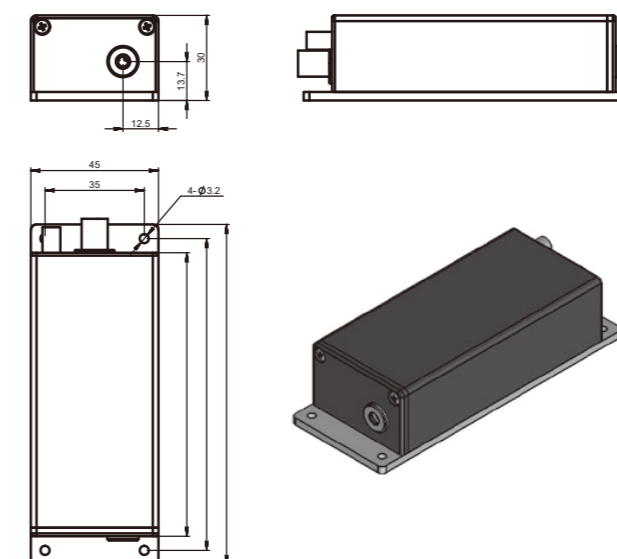
Like 1030nm laser, our 343nm laser can used in industrial field, especially in micro-drilling of photochemical ablation. Besides, our 343nm laser can be applied in mass spectrometer and so on.

## FEATURES

- Pulse width up to 800ps
- Pulse energy up to 100μJ
- Beam mode is TEM<sub>00</sub>
- Maximum repetition rate up to 2KHz

## APPLICATIONS

- Material micromachining
- Spectral detection
- Lidar
- Pump source
- biomedical science



## PARAMETERS

Model	UL343-1kHz-20μJ-MJ002	
Optical parameter	Wavelength (nm)	343
	Repetition frequency (kHz)	1*
	Average power(mW)	20
	Output energy (μJ)	20
	Pulse width (ps)	800
	Power stability (8h)	±3%
	Beam mode	TEM <sub>00</sub>
	Full-angle divergence angle Typ. (Mrad) level @1/e <sup>2</sup>	3
	Vertical @1/e <sup>2</sup>	3
System parameters	Polarization characteristics	>100:1
	System power consumption (W)	≤15
	Power input	100-240 VAC,50/60Hz
	Control interface	RS232、USB
	Power supply size (W×H×L, mm)	168×88×140
	Laser head size (W×H×L, mm)	45×30×120
	Working temperature (°C)	15-35
	Storage temperature (°C)	0-60

1.The light outlet of the laser head is side outlet. See the mechanical dimension drawing for details

2.Customized internal beam expansion function to meet the requirements of small divergence angle (less than 2mrad)

