

266nm Nd:YAG q-switched picosecond laser MO Microchip laser system



DESCRIPTION

266nm laser is one of the series of solid state laser provided by ULaser. It is based on the Nd:YAG crystal. ULaser especially recommends our 266nm picosecond laser including of 2000ps, 550ps, 750ps and 350ps ones. If you need others, you can consult our sale staffs.

Our 266nm laser has pure and stable pulse. Thus, it has very high quality in pulse beam. Besides, it is a compact laser which is easy in install and integrate. Though our 266nm is a microchip laser which has small size and light weight, it is still a high energy laser.

Our 266nm laser has wide applications in the various walks of life. It can be used in micromachining, time resolved Raman spectroscopy, laser ultrasound, laser induced breakdown spectroscopy and so on.

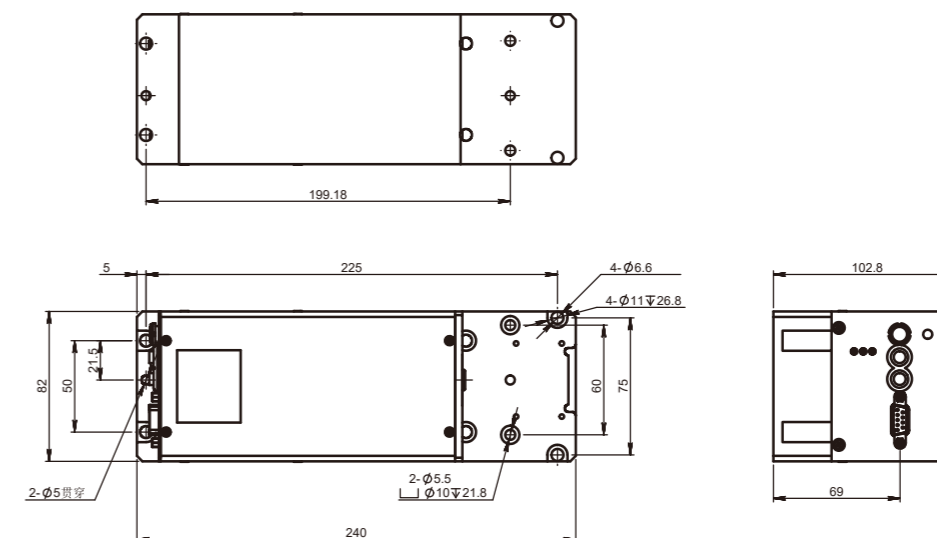
FEATURES

- Pulse width < 1ns
- The repetition frequency is adjustable from 1 to 200Hz
- The laser energy is adjustable on the machine
- Optical trigger output signal jitter < 100ps
- Fully sealed design, high reliability
- Plug and play, including upper computer software

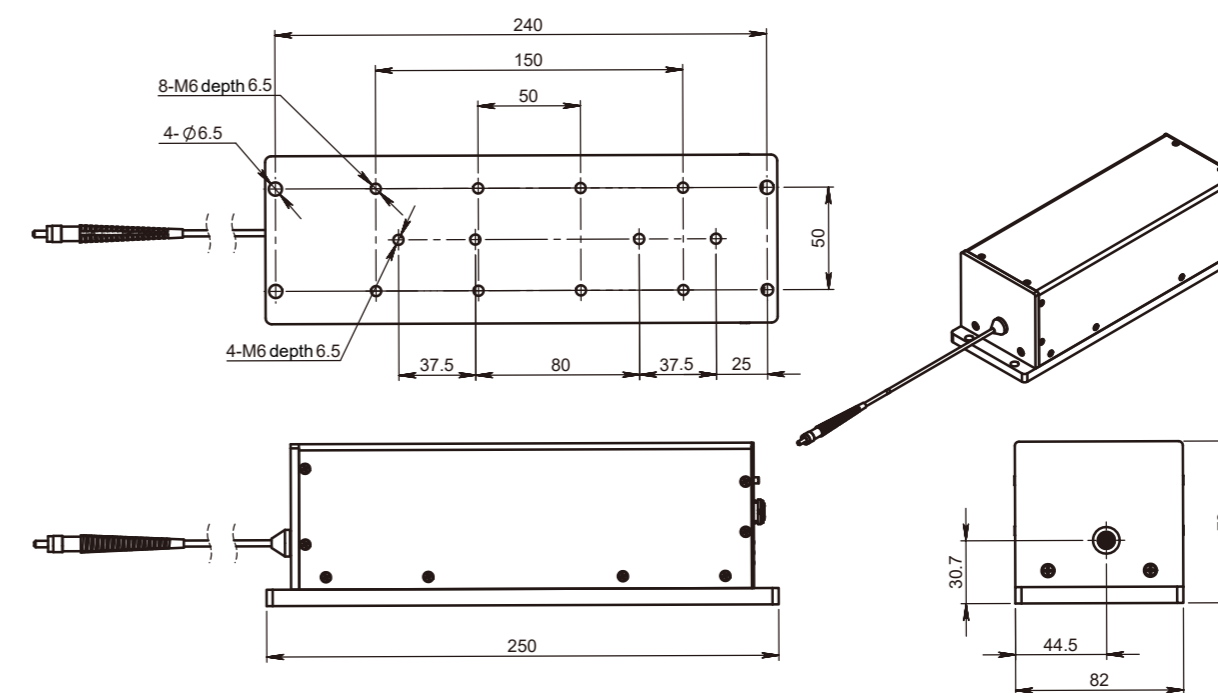
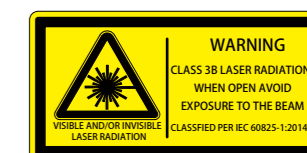
APPLICATIONS

- Laser engraving
- Laser photoluminescence
- Laser capture micro-cutting
- Raman spectroscopy detection
- Laser induced breakdown spectrum
- Laser remote sensing

OUTLINE SIZE(mm)



Space output size diagram



Optical fiber output size diagram

PARAMETERS

Model	UL266-200Hz-15/10μJ-MO001	
Optical parameter	Wavelength (nm)	266
	Repetition frequency (Hz)	1-200
	Maximum output energy of space beam (μJ)	15
	Fiber Coupling Maximum Output Energy (μJ)	10
	Pulse width (ns)	≤1
	Energy Stability (rms)	≤3%
	Energy Regulation Step Accuracy	≤2%
	Beam mode (spatial beam output)	TEM ₀₀
	Full-angle divergence angle Typ. (Mrad) level @1/e ²	≤2
	Vertical @1/e ²	≤2
Polarization characteristics	≥100:1	
Fiber parameters (fiber coupled output optional)	200μm/0.22NA	
System parameters	Power input	24V DC
	Modulation input	TTL0-5V,SMB connector
	Control interface	RS232
	System Peak Power Consumption (W)	< 20
	System Average Power Consumption (W)	< 10
	Laser size (W × H × L, mm)	82×102.8×240(space)/ 82x79x250(optical fiber)
	Working temperature (°C)	10-40
Storage temperature (°C)	0-60	

1. The supported operating frequency is 16~200Hz in continuous mode and burst mode.
2. Fiber core diameter: 200μm.
3. The power supply adapter is shipped with matching power supply, which can support 90~260VAC power supply input.

