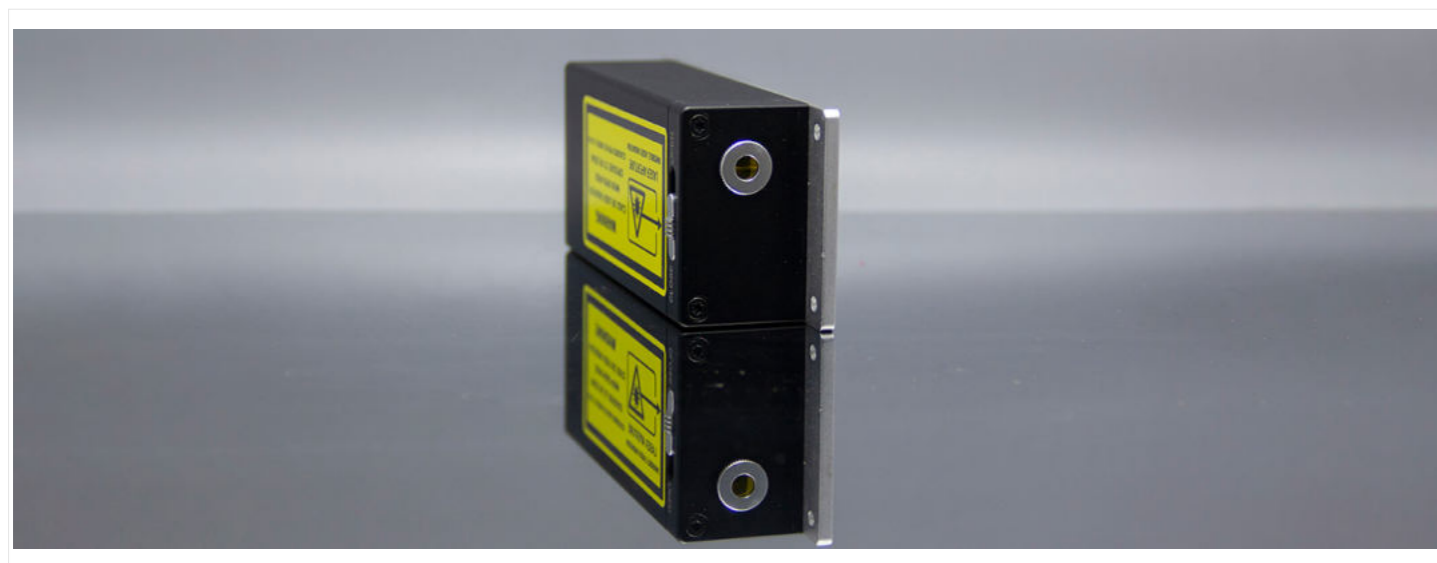
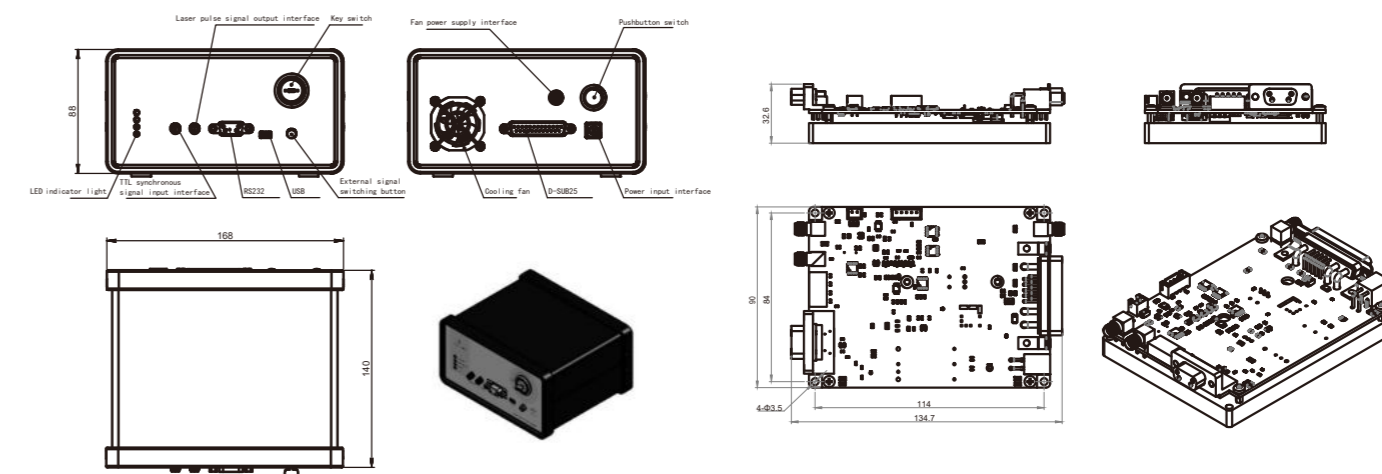


# 266nm Nd:YAG q-switched picosecond laser MA Microchip laser system



OUTLINE SIZE(mm)

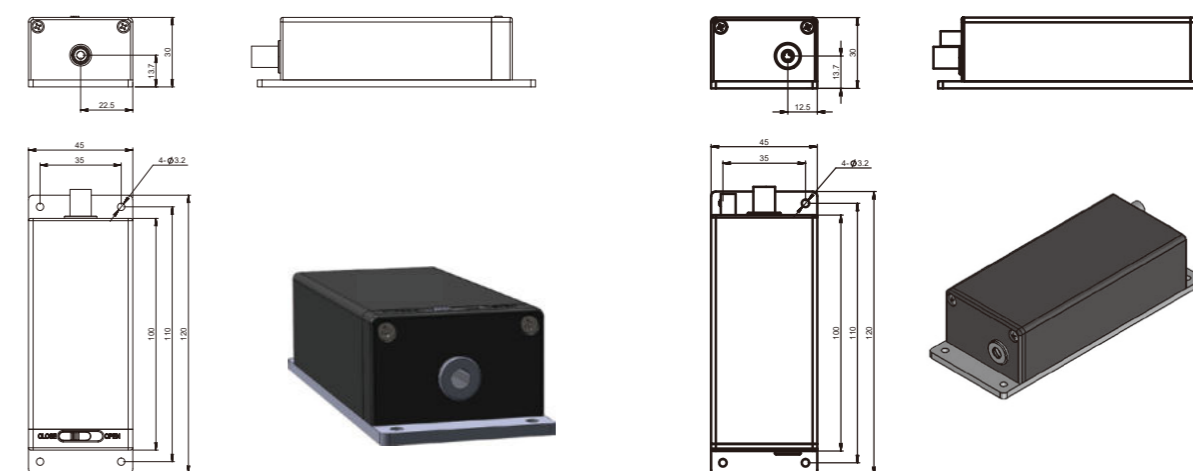


## DESCRIPTION

266nm laser is one of the series of solid state laser provided by ULaser. It is based on the Nd:YAG crystal. ULaser especially recommends our 266nm picosecond laser including of 2000ps, 550ps, 750ps and 350ps ones. If you need others, you can consult our sale staffs.

Our 266nm laser has pure and stable pulse. Thus, it has very high quality in pulse beam. Besides, it is a compact laser which is easy in install and integrate. Though our 266nm is a microchip laser which has small size and light weight, it is still a high energy laser.

Our 266nm laser has wide applications in the various walks of life. It can be used in micromachining, time resolved Raman spectroscopy, laser ultrasound, laser induced breakdown spectroscopy and so on.

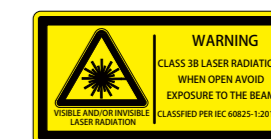
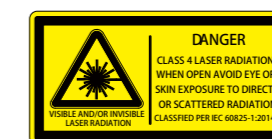


## FEATURES

- Pulse width up to 1ns
- Pulse energy up to 200μJ
- Beam mode is TEM<sub>00</sub>
- Repetition frequency up to 20kHz
- Fully sealed design, high reliability

## APPLICATIONS

- Lidar
- Laser Ranging
- Atmospheric monitoring
- Optical metrology
- Laser ionization mass spectrometry
- Biomedical Science



## PARAMETERS

Model	UL266- 1kHz- 10μJ- MA001	UL266- 5kHz- 8μJ- MA002	UL266- 10kHz- 3μJ- MA003	UL266- 20kHz- 2μJ- MA004
Optical parameter	Wavelength (nm)	266	266	266
	Repetition frequency (kHz)	1*	5*	10*
	Average power (mW)	10	40	30
	Output energy (μJ)	10	8	3
	Pulse width (ps)	1500	1200	1200
	Power stability (8h)	±3%	±3%	±3%
	Beam mode	TEM <sub>00</sub>	TEM <sub>00</sub>	TEM <sub>00</sub>
	Full-angle divergence angle Typ. (Mrad) level @1/e <sup>2</sup>	5	5	5
	Vertical @1/e <sup>2</sup>	5	5	5
	Polarization characteristics	> 100:1	> 100:1	> 100:1
System parameters	System power consumption (W)	≤35	≤35	≤35
	Power input	100- 240 VAC, 50/60Hz	100- 240 VAC, 50/60Hz	100- 240 VAC, 50/60Hz
	Control interface	RS232, USB	RS232, USB	RS232, USB
	Power supply size (W×H×L, mm)	168×88×140	168×88×140	168×88×140
	Laser head size (W×H×L, mm)	45×30×120	45×30×120	45×30×120
	Working temperature (°C)	15- 35	15- 35	15- 35
	Storage temperature (°C)	0- 60	0- 60	0- 60

1.\*The light outlet of the laser head is side outlet. See the mechanical dimension drawing for details

2.Customized internal beam expansion function to meet the requirements of small divergence angle (less than 2mrad)

