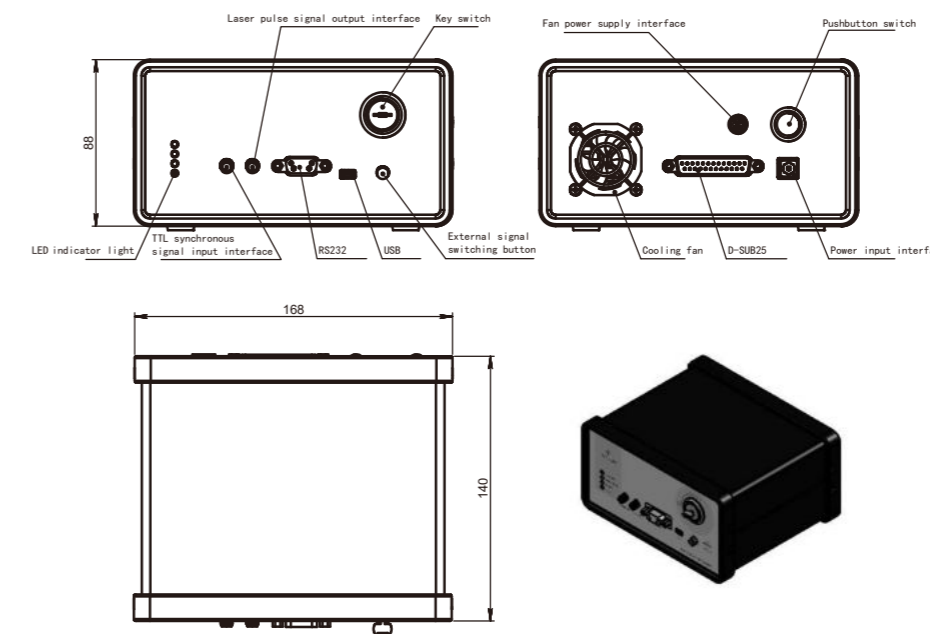


# 237nm Nd:YAG q-switched nanosecond laser MI Microchip laser system



OUTLINE SIZE(mm)



## DESCRIPTION

237nm laser is an excellent laser used in the earlier period. ULaser can provide a kind of 237nm microchip laser with 2ns. By frequency doubling of Nd:YAG crystal's excitation light, we can get commensurable harmonic wave.

Our 237nm laser has advantage of compact structure and high stability. And it has high polarization direction stability. As a deep uv laser, it has accepted little heat effect and high precision.

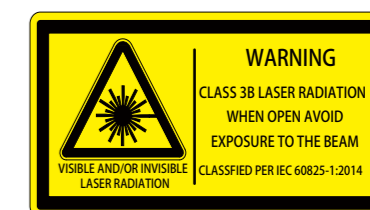
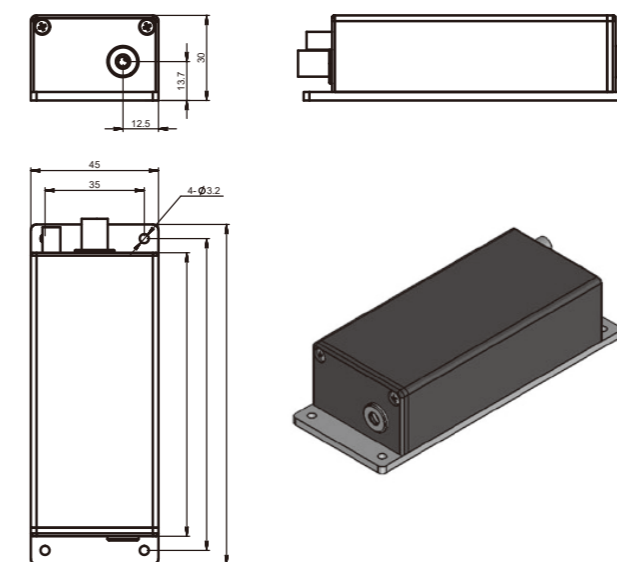
Rely on these advantage, our 237nm laser is perfect in laser induced fluorescence, laser ultrasound, radar ranging and raman spectrometer.

## FEATURES

- Compact structure and high stability
- High polarization direction stability
- Beam mode is TEM<sub>00</sub>
- Repetition rate up to 5KHz

## APPLICATIONS

- laser induced fluorescence
- Ultrasonic testing
- Radar ranging
- Raman spectroscopic detection



## PARAMETERS

Model	UL237-1kHz-2μJ-MI001	
Optical parameter	Wavelength (nm)	237
	Repetition frequency (kHz)	1*
	Average power (mW)	1*
	Output energy(μJ)	2
	Pulse width (ps)	1500
	Power stability (8h)	±3%
	Beam mode	TEM <sub>00</sub>
	Full-angle divergence angle Typ. (Mrad) level @1/e <sup>2</sup>	6
	Vertical @1/e <sup>2</sup>	6
	Polarization characteristics	>100:1
System parameters	System power consumption (W)	≤25
	Power input	100-240 VAC,50/60Hz
	Control interface	RS232、USB
	Power supply size (W×H×L, mm)	168×88×140
	Laser head size (W×H×L, mm)	45×30×120
	Working temperature (°C)	15-35
	Storage temperature (°C)	0-60

1.\*The light outlet of the laser head is side outlet. See the mechanical dimension drawing for details

2.Customized internal beam expansion function to meet the requirements of small divergence angle (less than 2mrad)

