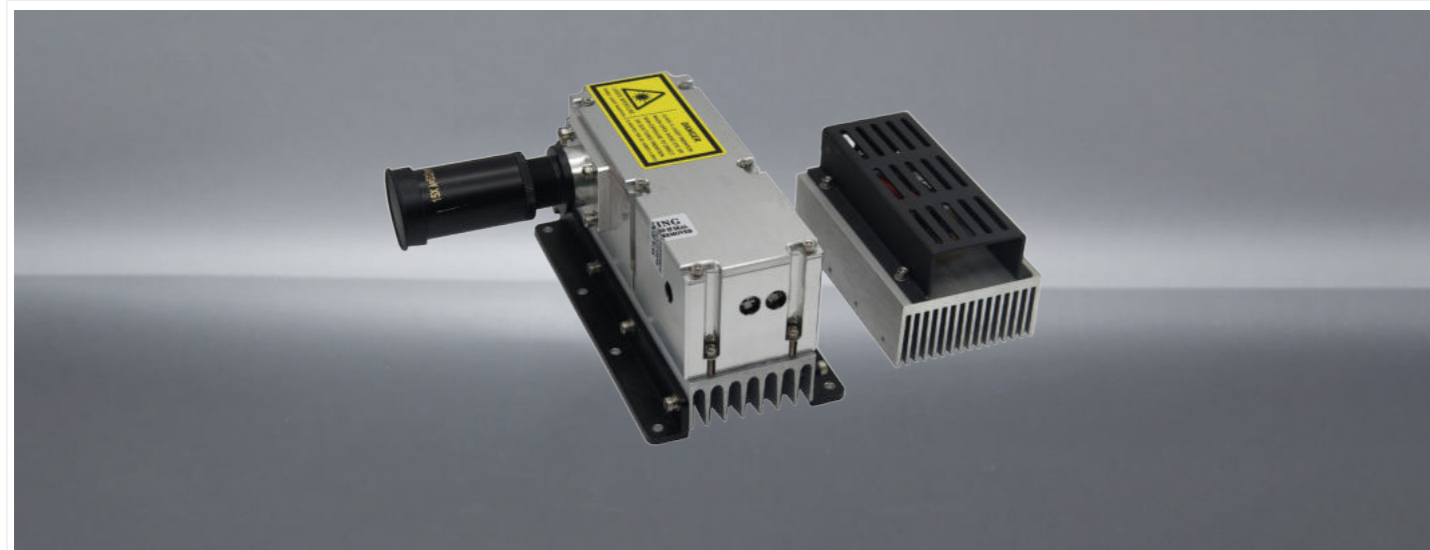


# 1064nm Nd:YAG q-switched picosecond laser ME Microchip laser system



## DESCRIPTION

1064nm laser is one of the most common laser among ULaser's products of solid state laser. Unlike other lasers, 1064nm laser beam is directly emitted from the Nd:YAG crystal. Q-switched crystal helps our laser to emit picosecond output light beam. Either the one with single longitudinal mode or the one with fundamental mode can be chosen in ULaser.

ULaser provides absolute high quality 1064 nm laser. Our 1064nm laser contains high average power, up to 100mW. And it has high pulse repetition frequency, up to 50kHz. At the same time, our 1064nm laser has smaller size and lower power consumption by microchip laser technology.

Our 1064nm laser can be used in most military, civil and scientific research fields. In industry, it can be used in micromachining. In cosmetology, it can be used in picosecond laser tattoo removal machine. Besides, it can also be used in laser ultrasound, laser induced breakdown spectroscopy, etc.

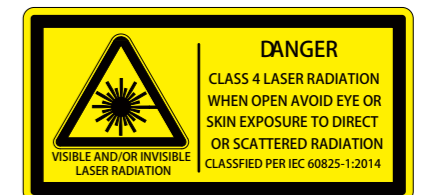
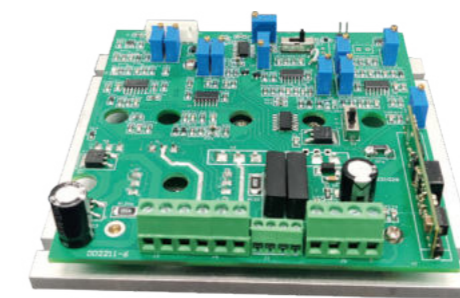
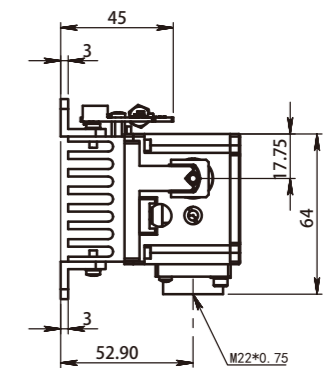
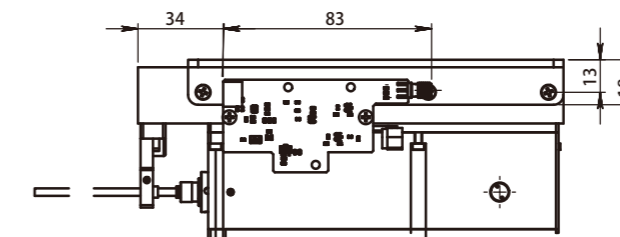
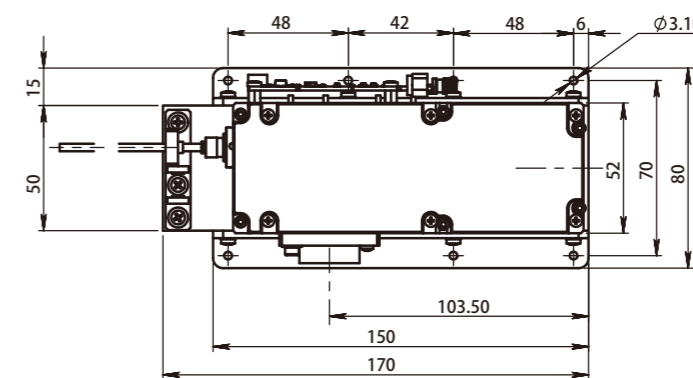
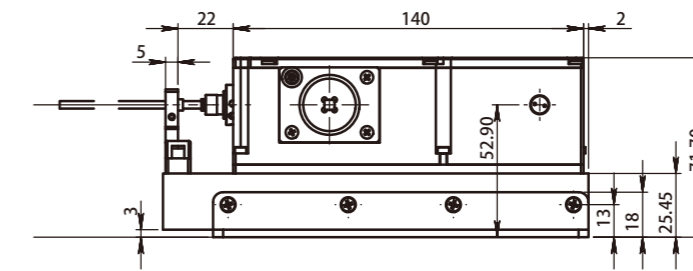
## FEATURES

- The repetition frequency can reach 20kHz
- Fully sealed design, high reliability
- Compact structure, high cost performance

## APPLICATIONS

- Glass, ceramic, gem, plastic marking
- Laser microprocessing
- Analysis instrument
- Bioluminescent molecule

OUTLINE SIZE(mm)



## PARAMETERS

Model	Model	UL1064- 2.5kHz- 600μJ- ME004	UL1064- 5KHz- 400μJ- ME005	UL1064- 7KHz- 280μJ- ME006
Optical parameter	Wavelength (nm)	1064	1064	1064
	Repetition frequency (kHz)	2.5	5	7
	Average power (mW)	1500	2000	2000
	Output energy (μJ)	600	400	280
	Pulse width (ns)	3.5	6	8
	Power stability (8h)	±3%	±3%	±3%
	Beam mode	TEM <sub>00</sub>	TEM <sub>00</sub>	TEM <sub>00</sub>
	Collimating spot diameter (mm)	≈9	≈9	≈9
	Full-angle divergence angle Typ. (@1/e <sup>2</sup> , Mrad)	≤1	≤1	≤1
	Polarization characteristics	>100:1	>100:1	>100:1
System parameters	Power input	12V, >200W	12V, >200W	12V, >200W
	External trigger control	Gated, 5V TIL, high level enabled	Gated, 5V TIL, high level enabled	Gated, 5V TIL, high level enabled
	System power consumption (W)	60x39x158	60x39x158	60x39x158
	Working temperature (°C)	15~35	15~35	15~35
	Storage temperature (°C)	-40~65	-40~65	-40~65

